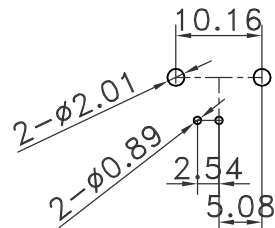


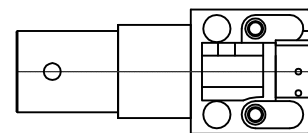
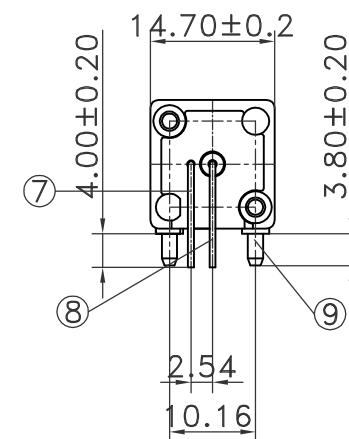
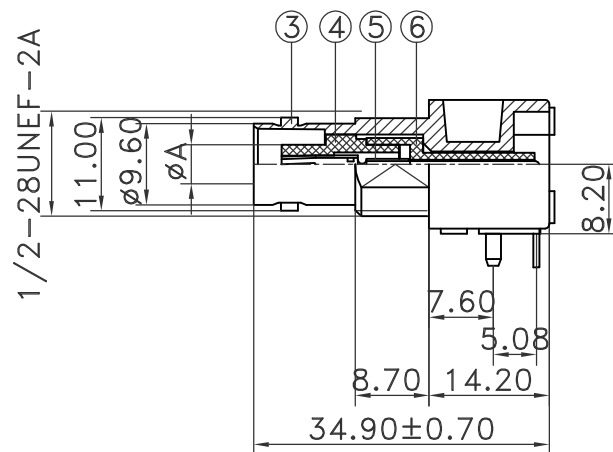
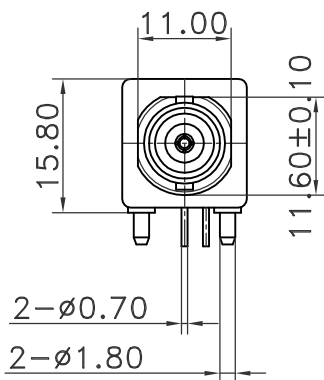
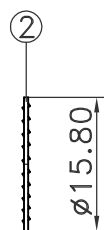
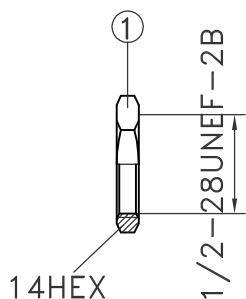
RECOMMENDED MOUNTING HOLE



RECOMMENDED PCB HOLE

REVISIONS

RevNo	Description	Date	REVISION	Mender
1		2004/01/31	A2	Xwj
2		2005/09/23	A3	Gjc



MODEL NO.	φA	DRAWING NO.	IMPEDANCE
SB142B11HB30	4.60	010142081	50 Ohm
SB142B21HB30	3.00	010142101	75 Ohm

ITEM	DESCRIPTION	MATERIAL	Q'TY	FINISHED
9	FIXTURE	BRASS	2	TIN PLATED
8	CONTACT WIRE	BRASS	1	TIN PLATED
7	CONTACT WIRE	BRASS	1	TIN PLATED
6	INSULATOR	PP	1	NATURAL
5	CONTACT PIN	P-BRONZE	1	GOLD PLATED
4	INSULATOR	POM	1	NATURAL
3	BODY	ZINC	1	NICKEL PLATED
2	WASHER	IRON	1	NICKEL PLATED
1	NUT	BRASS	1	NICKEL PLATED

YIN SHENG COMPANY LTD (ZHONG SHAN)				TITLE		
				BNC JACK PCB MOUNT 90°		
PART NO.		UNITS	MM	UNLESS OTHERWISE SPECIFIED TOLERANCES: 0.5-15 = ±0.15 15-30 = ±0.30 30-120 = ±0.60 >120 = ±1.00	DESIGNED	Xwj
MODEL NO.	SB142-15.8/90°-ZN	SCALE	FIT		DRAWING	Xwj
DRAWING NO.		EDITION	A1	PUBLISH DATE	APPROVED	Andy
CAD FILE	Yin sheng/Yifaxing/SB/SB142			2002/06/17	3RD ANGLE	